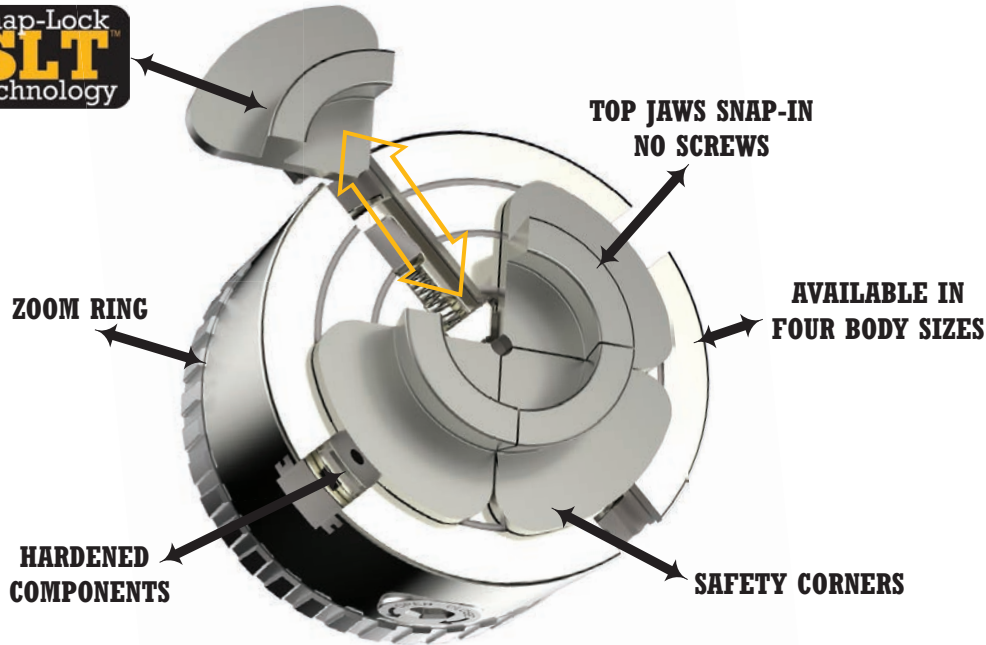


EASY CHUCK™

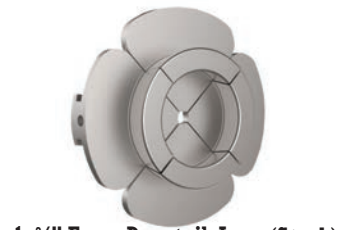
Available Easy Jaws™
(sold separately)

Snap-Lock
SLT
Technology



Easy Chucking Screw™

- Patented technology makes this the only chuck you'll ever need
- No screws to lose, and no assigned jaw slots to line up
- Patented Snap-Lock Technology allows for 30 second jaw change
- Listen for the snap and the jaw is locked into place
- Jaws are easily removed with the included 1/8" ball end hex key
- Rounded corners on jaws to reduce injury
- Zoom Ring™ allows for one-handed open/close adjustments
- Lock project down with included 5/16" Hex T-Handle Chuck Key
- Includes Patented Easy Chucking Screw™ with 3/8" & 1/2" double-ended design
- Comes equipped with 1 3/8" Easy Dovetail Jaws™
- Available in: 1" x 8 tpi, 1 1/4" x 8 tpi, M30 x 3.5, M33 x 3.5
- Made with hardened and plated components inside and out, and machined to high tolerances
- Built to last, and 100% made in the USA



1 3/8" Easy Dovetail Jaws (Stock)



2 3/8" Easy Dovetail Jaws



1/2" Easy Reach Dovetail Jaws



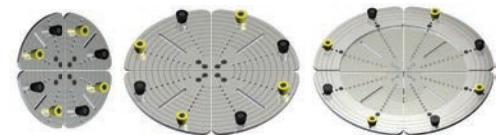
1 3/8" Easy Reach Dovetail Jaws



3 1/2" Easy Dovetail Jaws



3 1/2" Easy Stepped Dovetail Jaws



12" to 20" Big Easy Jaws™



100% MADE IN USA



1365 CAHILL DRIVE | LEXINGTON, KY | 40504
easywoodtools.com | (859) 246-0294